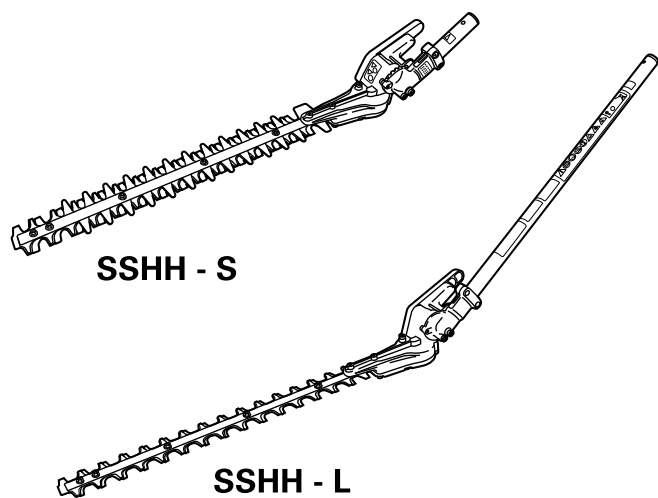


Hedge Trimmer Attachment SSHH

Instruction Manual

Original Instruction



For Safe Use of Hedge trimmer Attachment

- Be sure to read this manual and the powerhead (separately sold) manual to have a good understanding of the contents before handling the hedge trimmer.
- If there is no powerhead manual, purchase it from sales agency.
- Keep this manual and the powerhead manual carefully in a readily accessible location.

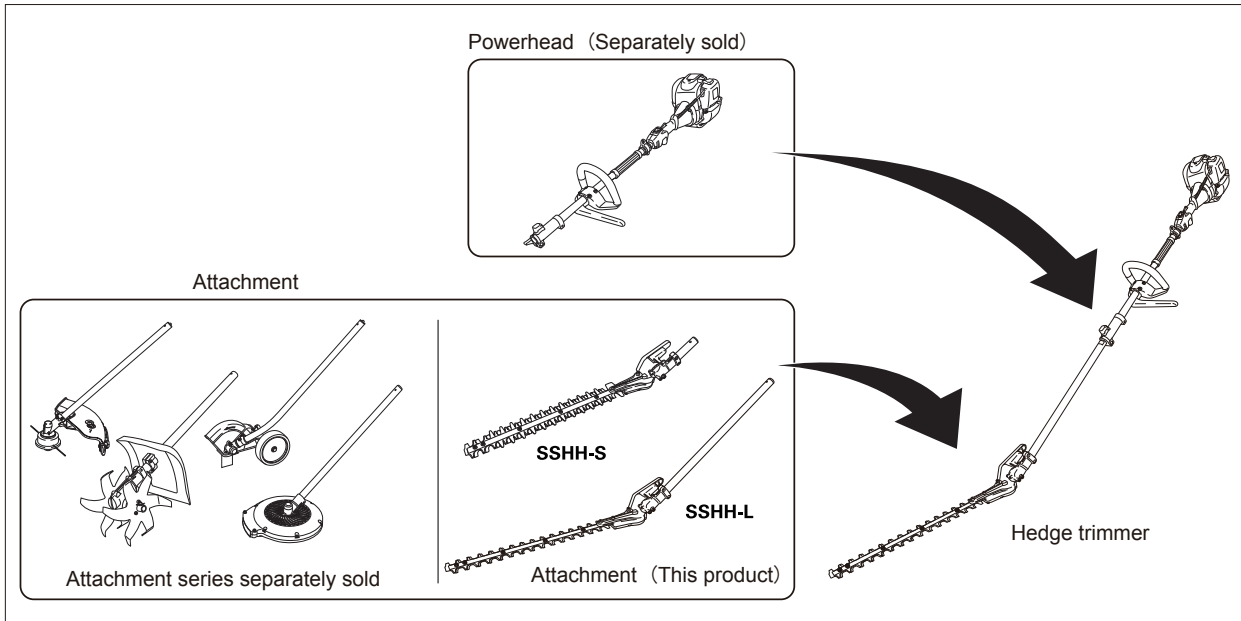
Contents

Important Information	2
1. Safety	4
1.1 Warnings	4
1.2 General Precautions	7
1.3 Safety Devices and Protective Guard	14
1.4 Protective Equipment	15
1.5 Noise	15
1.6 Vibration	15
2. Outline	16
2.1 Name of Parts and Their Functions	16
2.2 Specification	17
2.3 Attached Material	17
2.4 Position of Model Code and Serial No. ..	18
2.5 Consumables	18
3. Installation and Adjustment	19
3.1 Installation Method	19
3.2 Adjustment of Cutter Bar Angle	22
4. Operation	23
4.1 Transporting method	23
4.2 Pre-operation Check	25
4.3 Start and Stop	26
4.4 Description of Cutting Techniques	27
4.5 Precautions for Operation	27
4.6 Examples of Use	28
4.7 Actions after Operation	29
5. Maintenance	30
5.1 Greasing	30
5.2 Maintenance of Trimmer Blade	32
6. Storing	33
7. Waste Disposal	35
8. Troubleshooting	36
9. Service after Sales	37
10. Technical data	38
EC Declaration of Conformity (Applies to Europe only)	40

Important Information

Intended Purpose

This product (hereinafter referred to as an attachment) is designed to be attached to the powerhead (to be purchased separately) for cutting hedge. The hedge trimmer is attached to our approved powerhead. Do not use the hedge trimmer for any other purpose or in any other way.



General

- Refer to the powerhead manual for further information on handling the powerhead.
- When handling the hedge trimmer, observe all the applicable safety rules, standards or regulations in the area where the hedge trimmer is used.
This hedge trimmer is designed and produced according to the standards and regulations applied in the purchase country, assuming that the use is limited to the purchase country only. It will not comply with standards and regulations of other countries. Do not export or resell the hedge trimmers to any other countries because the languages are different.
- Before use, read this instruction manual and the powerhead manual thoroughly, and have a good understanding of the contents. Do not allow any person who does not understand the contents of this manual to handle this hedge trimmer.
- Do not take any actions other than those described in this manual and the powerhead manual.

Important Cautions for Safe Work

- NIKKARI Co., Ltd. (hereinafter referred to as NIKKARI) cannot foresee all the risks in handling the hedge trimmer. Therefore, also give consideration to general safety measures not stated in this manual, powerhead manual to prevent accidents when handling the hedge trimmer.
- The hedge trimmer is a high-speed cutting tool with very long reach. To decrease risk of personal injury, special safety precautions must be observed. If it is used carelessly or inappropriately, hands or body could get contact with the trimmer blade, resulting in serious injury such as finger or hand amputation or even fatal injury.

Important Cautions for Instruction Manual

- This instruction manual is copyrighted and all rights are reserved. This instruction manual, in whole or part, may not be copied, translated or reproduced to any electronic medium or machine readable without prior written consent from NIKKARI.
- The contents described in this instruction manual and powerhead manual are subject to change without prior notice.
- Illustrations or figures shown in this instruction manual may partially differ from your hedge trimmer.
- In case of hand over or rent of the hedge trimmer, instruct to have a good understanding of the contents of this instruction manual and powerhead manual before starting any work. Be sure to submit this manual and the manual of the powerhead to which the attachment is installed to the customer.
- If this instruction manual or powerhead manual is lost or damaged, order from sales agency immediately.
- If you have any questions about descriptions in this manual or powerhead manual, contact the sales agency.

1. Safety





1.1 Warnings

For appropriate use of the hedge trimmer, follow the instructions in this manual. Warning labels are attached to places where there are potential risks or in the periphery. The warning labels in this instruction manual are categorized depending on the degree of risk as shown in the table below.




1.1.1 Warning Description

Signal words in this instruction manual are categorized as shown below. If the warning for each signal word is ignored, serious injury or fatal injury may result.

■ Meanings of signal words

 DANGER	Indicates an immediately hazardous situation which, if not avoided, will result in death or serious injury.
 WARNING	Indicates a potentially hazardous situation which, if not avoided, could result in death or serious injury.
 CAUTION	Indicates a potentially hazardous situation which, if not avoided, could result in mild to moderate injury or property damage.
 Note	Indicates to emphasize important information or provide helpful information.

■ Meanings of symbols

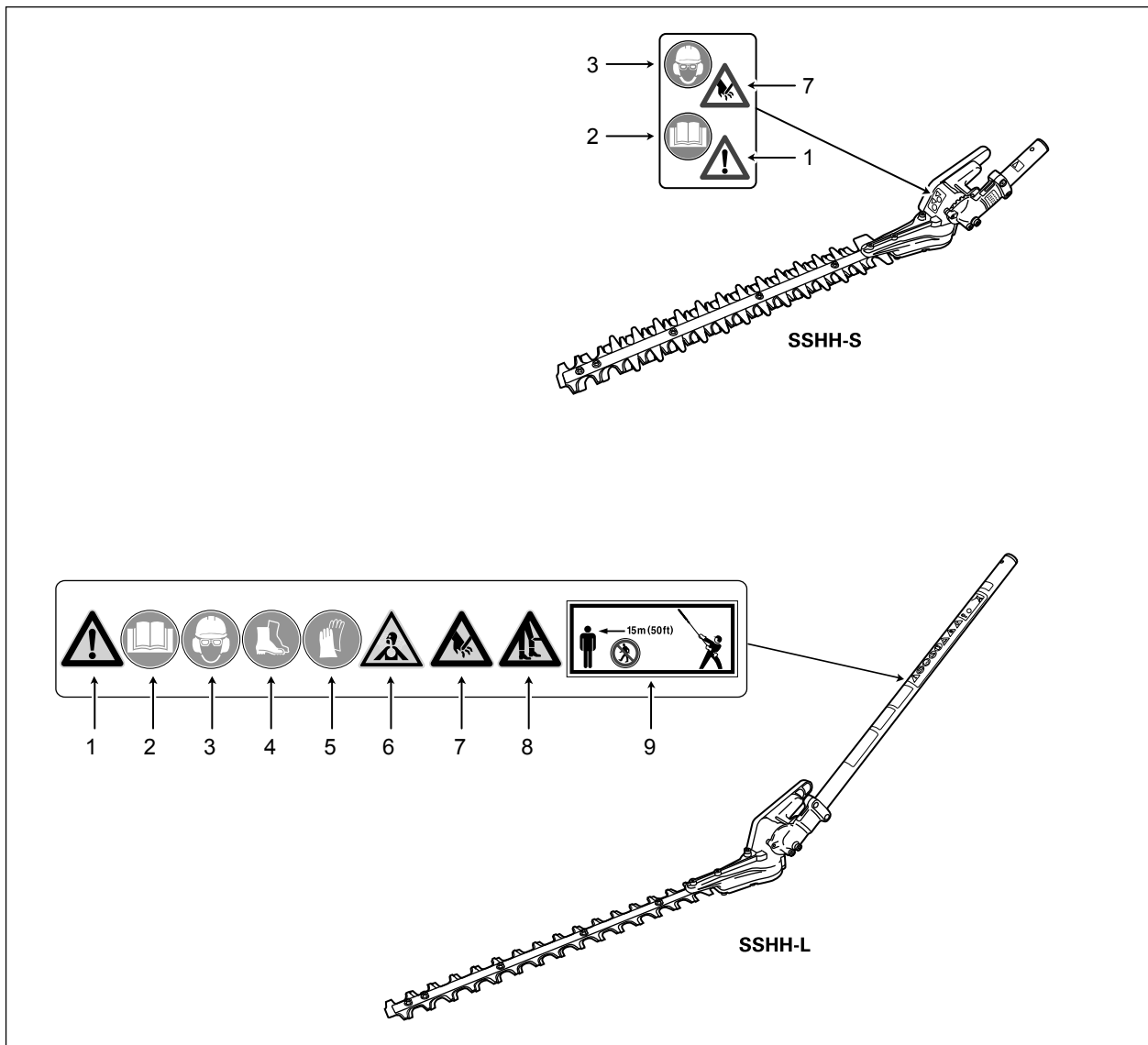
	Caution Sign	Indicates that hazardous situation may result due to negligence of instructions. The hazards are designed into pictorial indication inside the symbol.
	Prohibition Sign	Indicates prohibition of dangerous action. Prohibited actions are designed into pictorial indication inside or by the symbol.
	Enforcement Sign	Indicates enforcement of actions. Actions to be enforced are designed into pictorial indication inside the symbol. This action is required to avoid hazard.

1.1.2 Warning Labels

■ Cautions for Handling

- (a) This hedge trimmer is provided with warning labels to indicate important cautions. Understand the meanings of the warning labels thoroughly and work in a safe environment without accident or failure.
- (b) Do not operate the hedge trimmer until you have a good understanding of the meanings of the warning labels. If you do not understand well about the meanings, contact the sales agency.
- (c) Be sure to observe the warning labels and warning messages in the instruction manual at all times to handle the hedge trimmer.
- (d) Do not remove or damage the warning labels. Also, do not clean the warning labels with solvent.
- (e) Do not paint the warning labels when repainting the hedge trimmer.
- (f) If the warning labels become illegible, damaged or removed, purchase new ones from the sales agency, and attach them in accordance with the "■ Attached Location and Warning Labels."

■ Attached Location and Warning Labels





1	Carefully check the right warning labels and observe them.
2	Be sure to read the instruction manual and completely understand it before use.
3	Wear personal protective equipment for eyes, ears, and head during operation.
4	Wear protective shoes during operation.
5	Wear gloves during operation.
6	Physically-harmful carbon monoxide is included in exhaust gases. Do not use at the inadequately ventilated place.
7	Trimmer blade is extremely sharp. If hands or feet, etc. gets contact with the trimmer blade, it could result in serious injury such as finger or feet amputation or even fatal injury.
8	Trimmer blade is extremely sharp. If hands or feet, etc. gets contact with the trimmer blade, it could result in serious injury such as finger or feet amputation or even fatal injury.
9	Keep persons and animals out of the area within a radius of 15 meters from the hedge trimmer during operation.

1.2 General Precautions



1.2.1 Overall Precautions

When handling the hedge trimmer, follow the precautions of the powerhead manual in addition to the following precautions.

DANGER

	Do not use the hedge trimmer when you are tired or under the influence of alcohol or other drugs.
	* You will be distracted or not be able to use the hedge trimmer appropriately, causing a serious accident.
	Make sure that the knob bolt at the connection between powerhead and the extension pipe is tightened when installing the attachment.
	* The attachment will come off, resulting in a serious accident.

WARNING

	Do not use the hedge trimmer for any purpose other than cutting hedge or as show in examples of use (4.6).
	* Otherwise, it could cause unexpected injury, and damage the hedge trimmer.
	Do not allow minors to operate the hedge trimmer.
	* It could cause a serious accident.
	Do not modify the hedge trimmer.
	* It could deteriorate the performance, resulting in a serious accident due to deterioration on safety.
	Do not install any unapproved attachment to the powerhead.
	* The attachment could come off during use, resulting in a serious accident.
	Do not remove the safety devices.
	* A serious accident could result due to deterioration on safety.
	Do not touch the trimmer blade during operation.
	* It could cause injury.
	When renting the hedge trimmer to any third person, attach the instruction manual and attached materials to the trimmer.
	* If it is mis-operated, a serious accident could happen.

1.2.2 Precautions on Clothes

WARNING



Wear a hard hat when using or transporting the hedge trimmer.

* It could cause injury to head.

Wear appropriate personal protective equipment when using the hedge trimmer.

* Otherwise, injury may result.

Wear a goggle when using the hedge trimmer. It is recommended to also use face shield (or face screen) together.

* If they are not used, it could cause eye injury due to scattering of chips of wood.

Wear hearing protective equipment including ear muffs when using the hedge trimmer.

* Hearing loss could be developed due to noise of the engine.

1.2.3 Precautions before Operation

DANGER



Do not allow children or animals to enter the working range of the hedge trimmer (within 15m).

* It could cause a serious accident.

Do not operate the hedge trimmer near the electric cable.

* Otherwise, an electric shock will be caused.



Make sure that the hedge trimmer is operated normally or there is not any part missing or cracking before starting the operation.

Especially check the looseness of the connections, screws and nuts, and fuel leakage.

* Otherwise, it will cause serious accident.

Before starting the operation or when hitting the hedge trimmer against something hard such as stones, make sure that the knob bolt of powerhead connections is not loosened.

* Otherwise, it could cause the attachment to fall off.

Make sure that the knob is returned to the specified position when installing the hedge trimmer.

* The attachment could come off.

WARNING



Check the condition of the trimmer blade and mounting screws before/after cutting.

- * If it is used with cracks or looseness, the blade could chip off and the pieces of the blade could hit a person or attachment could fall.

When there is any obstacle (wires, etc.) which cannot be removed near the branches to be cut, cut the branches while taking care so as not to allow the trimmer blade to get contact with such obstacle during cutting.

- * Otherwise, a person could fall down due to the impact and get contact with the trimmer blade, resulting in serious injury. Or the scattered pieces of obstacles could get in your eyes, resulting in injury such as sight loss.

CAUTION



If the edge of the trimmer blade is blunt or damaged, do not operate the hedge trimmer.

- * It could cause damage to the hedge trimmer due to overloading.



When working near the car or building, keep the things around away from the working area.

Cover the immovable thing with the heavy-duty sheets or do not operate at the area.

- * If it is operated near the car and the building, scattered gravel stone, etc. could cause damage.

Check if there is any obstacle (empty cans, wires, pebbles, bands, etc.) or not. If there is any obstacle, remove it before operating the hedge trimmer.

- * Scattering of the broken pieces of the damaged blade, etc. could result in injury accident.
Foreign substance such as wires and bands could be caught in the blade, breaking the blade/blade/saw chain/trimmer blade or gears.

1.2.4 Precautions at Start-up

DANGER



The hedge trimmer must be started in a non-slippery and firm place.

- * Otherwise, it will cause falling, resulting in a serious accident.

WARNING



The hedge trimmer must be started or operated by one person.

- * If it is operated by more than one person, it could be miss-handled, and it could contact with a person or objects, resulting in accident.

CAUTION



When starting the hedge trimmer, make sure that the trimmer blade is not touching the ground or obstacles.

- * Otherwise, you could fall down and get severely injured due to contact with the trimmer blade.
It could also cause the objects to scatter, resulting in injury such as sight loss.

1.2.5 Precautions for Operation

DANGER



Do not operate the hedge trimmer on insecure footings including a ladder, tree or any other insecure support.

- * You will fall off the footing, drop the hedge trimmer or get contact with the blade by inappropriately handling it, resulting in accident.



While cutting, put up a KEEP OUT sign in a prominent place to prevent any third person from entering within 15m of the working area.

- * Otherwise, a serious accident may happen.

WARNING



Do not operate the hedge trimmer in a closed area.

- * Exhausted gas affects the health.

Do not operate the hedge trimmer under poor visibility including after sunset or in the early morning.

- * It could cause accidents such as contact with some objects or falling off.

Do not use the hedge trimmer continuously for a long time.

- * If it is operated continuously for a long time, vibration induced white finger could be developed.

Do not operate the hedge trimmer by one hand.

- * You could drop the hedge trimmer or get contact with the blade by inappropriate handling, resulting in accident.

If the trimmer blade starts moving while idling, do not use the hedge trimmer.

- * Otherwise, an accident could happen.



Concentrate on the work during cutting without standing talking.

When doing the other work out of necessity, stop the engine before performing.

- * Unless concentrating on the cutting work, the operator could be injured unexpectedly because lose of concentration.

When cutting an overhead hedge, take a break reasonably.

- * When operating the hedge trimmer for a long time, your arm get tired, and cannot hold the hedge trimmer safely, resulting in an accident such as dropping the hedge trimmer.

! WARNING



When cutting a hedge trimmer higher than the eye level, frequently check if there is any person, animal or obstacle in the hedge.

- * If the check is neglected, the hedge trimmer could get contact with a person or obstacle, resulting in an accident.

Remove obstacles, and watch your step when operating the hedge trimmer.

- * If the footing is insecure, an accident due to tripping over or falling could happen.

When turning around or rearranging your posture, slowly move so as not to get the trimmer blade to come in contact with people or things around.

- * Otherwise, it could cause injury due to contact of the trimmer blade with the people around or damage to the trimmer blade due to contact of the trimmer blade with the things around.

1.2.6 Precautions for Maintenance

! WARNING



Before performing maintenance, repair or cleaning, stop the engine and remove the attachment from the powerhead.

- * If the engine starts during the work, hands or fingers could be severed by the moving parts or trimmer blade.

Do not perform any maintenance or repair other than those described in the instruction manual. Request the sales agency.

- * Otherwise, an accident could happen.

Before adjusting the trimmer blade, stop the engine, and then remove the attachment from the powerhead.

- * Otherwise, hands or fingers could be severed by the trimmer blade.

! CAUTION



When handling the trimmer blade, wear gloves.

- * If you touch the edge of the trimmer blade or tip of the sharp blade, it could cause injury to hands or fingers.

Use the designated grease.

- * Otherwise, the attachment could be damaged.

1.2.7 Precautions for Troubleshooting

DANGER



When troubleshooting, stop the engine and then remove the attachment from the powerhead.

* If the engine starts during the work, hands or fingers could be severed by the moving parts or trimmer blade.

1.2.8 Precautions for Transporting

WARNING



Do not transport the hedge trimmer by a bicycle and a motorbike.

* Otherwise, the hedge trimmer could fall off, resulting in injury or damage of the hedge trimmer.



When transporting the hedge trimmer, wear appropriate clothes and personal protective equipment.

* Otherwise, it could cause injury.

Before transporting the hedge trimmer, stop the engine, and make the blade stopped.

* Body, hands or fingers could be severed or objects could be damaged by contact with the blade.

When transporting the hedge trimmer, install it to a harness or keep the balance with the shaft tube.

* Otherwise, the hedge trimmer could fall off, resulting in injury or damage of the hedge trimmer.

Remove obstacles, and watch your step when transporting the hedge trimmer.

* If the footing is insecure, an accident due to tripping over or falling could happen.

Before transporting the hedge trimmer put on the back of the truck, etc., remove the attachment from the powerhead, set the guard to the trimmer blade, and then fix it so as not to move.

* Otherwise, the attachment could fall off the truck, causing injury or damage to the hedge trimmer.

1.2.9 Precautions for Storing

WARNING



When storing the attachment with the hook of the pipe cap attached to the pipe, etc., do not pull or swing the attachment.

Or, attach it to the fixed bar having enough strength.

* Otherwise, it will fall off, causing a serious injury.

CAUTION



When storing the attachment, set the guard to the trimmer blade.

* Otherwise, it could cause injury due to contact with the trimmer blade or serious injury due to contact with the attachment which is falling off or falling down.

When storing the attachment, store it in the place out of reach of children and animals.

* Otherwise, it could cause injury due to contact with the trimmer blade or serious injury due to contact with the attachment which is falling off or falling down.

1.2.10 Precautions for Grease

DANGER



Store the grease in a place out of reach of children.

Also, put them in a container so that the grease is not spilled and make them distinguished to understand contents.

* When drinking them by mistake, the person will feel physically sick.

CAUTION



Do not discard grease into the river, the sea, or the ground.

* Otherwise, it could pollute the environment.

1.3 Safety Devices and Protective Guard

1.3.1 Safety Devices (Stop Devices)

To stop the hedge trimmer in case of an accident or abnormality, use the stop device and stop the rotation of the blade.

There are the throttle trigger and start/stop switch on the powerhead as stop devices.

Refer to the powerhead manual for details.

1.3.2 Safety Devices (Quick Release)

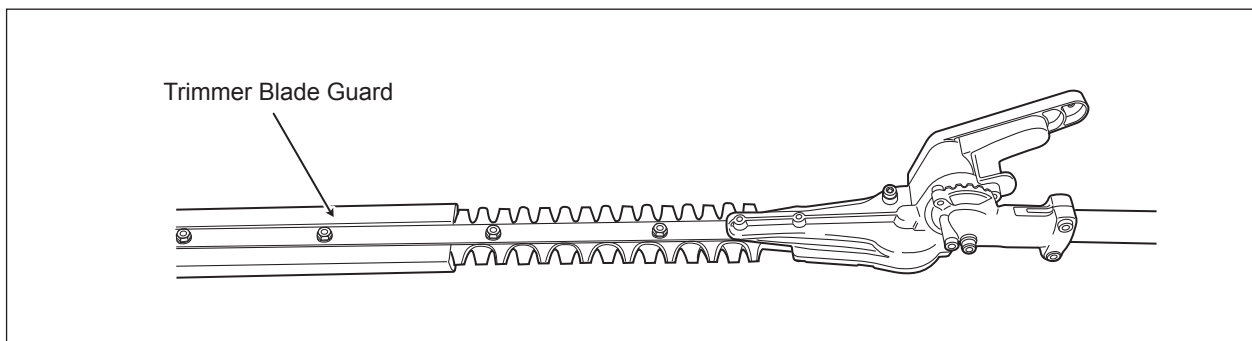
In case of an accident or abnormality, the hedge trimmer can be released from the harness by using the quick release device.

Refer to the powerhead manual for details.

1.3.3 Protective Guard (Trimmer Blade Guard)

Install the trimmer blade guard to the hedge trimmer for transporting or storing to prevent an accident due to contact with the trimmer blade.

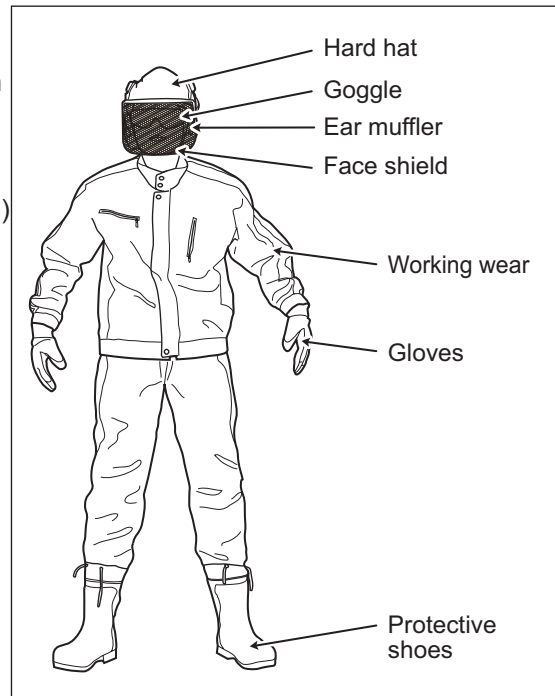
Install the guard as shown in the figure below.



1.4 Protective Equipment

When using the hedge trimmer for cutting, always wear the following protective equipment.

- (a) Hard hat
- (b) Working wear (long sleeve jackets and full-length pants of heavy material are recommended.)
- (c) Protective shoes (or sturdy boots with nonslip sole) (Steel-toed safety boots are recommended.)
- (d) Gloves (heavy-duty, nonslip gloves)
- (e) Goggle
- (f) Face shield (or face screen) (use together with goggle is recommended.)
- (g) Ear muffler



►► Note

- Use goggles, ear muffs and hard hats, etc. conformed to the applicable standard.
- Do not wear any jewelry.
- Loop up long hair.
- If the jackets or pants are loose, tighten the cuffs or hems.

1.5 Noise

There is a danger that a person might suffer permanent hearing loss by the sound from the hedge trimmer. A person operating the hedge trimmer must use ear protection equipment including an ear muffler. A person using the hedge trimmer frequently must undergo a hearing test. However, take care when wearing the ear protection equipment. Your ability to hear shouts or alarms is restricted.

1.6 Vibration

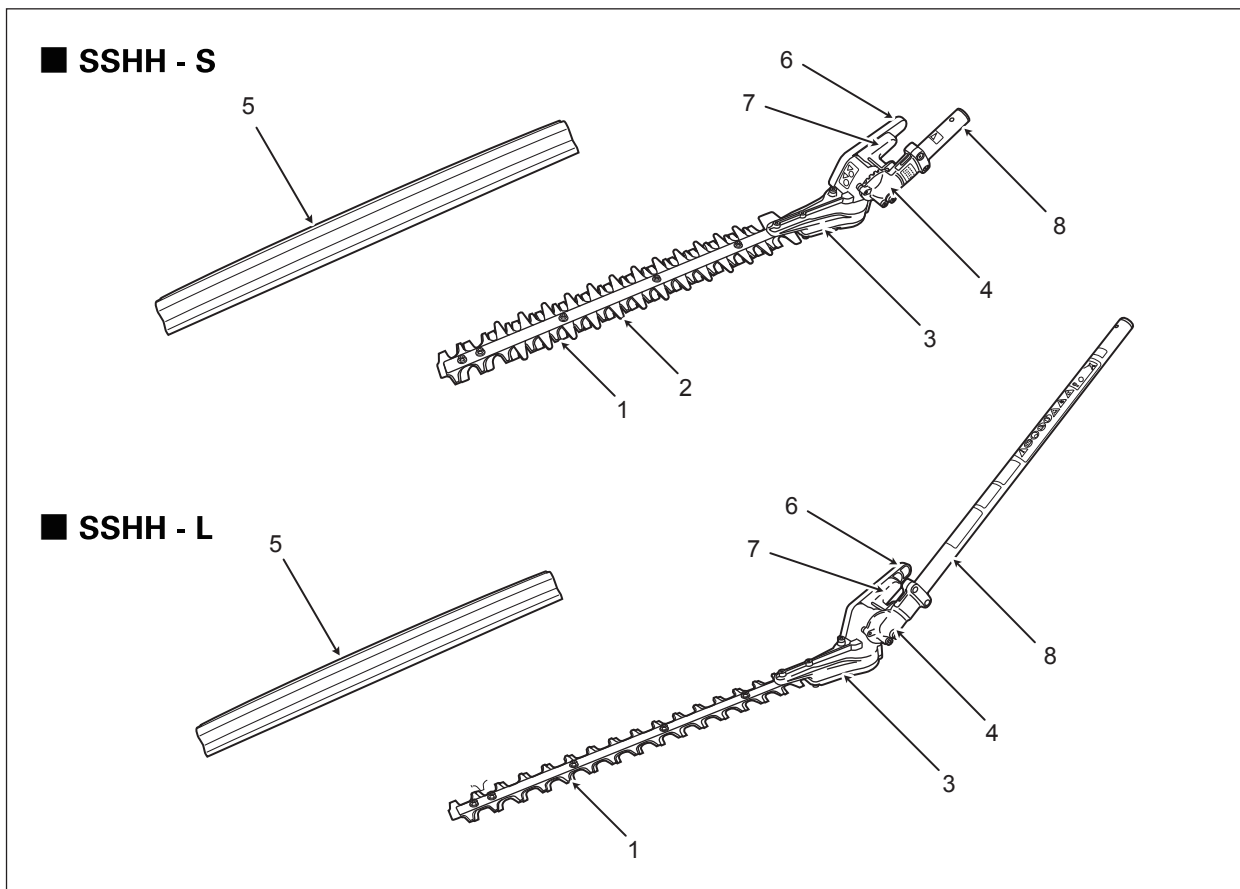
Vibration generated by the hedge trimmer causes vibration induced white finger (Reynaud's phenomenon) or carpal tunnel syndrome. This will cause swelling pain or nerve paralysis of hands, and there is a risk of affecting the hand.

To prevent such problems, do not continuously operate for a long time. Instead, take an appropriate break.

2. Outline

2.1 Name of Parts and Their Functions

The hedge trimmer is a device with the attachment installed to the powerhead (separately sold). The following is the structure of the attachment and name and function of each part.



No.	Name	Description
1	Trimmer blade	A steel blade to cut the hedges or low trees.
2	Cutter guard	A guard to protect hands and legs from trimmer blade.
3	Transmission case	It converts the rotation of the gear case into the trimmer blade oscillation.
4	Gear case	It transmits the rotation of the drive shaft to the transmission case.
5	Trimmer blade guard	A guard to cover the trimmer blade when the hedge trimmer is not used.
6	Adjustment lever	A lever to adjust the angle of the trimmer blade appropriately.(Gray)
7	Lock lever	A lever to lock the trimmer blade to a necessary position.(Yellow)
8	Shaft tube	Mainframe with a built-in drive shaft.

2.2 Specification

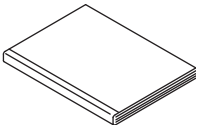
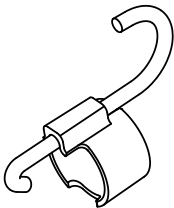
■ Standard Specification

Item		Specification
Trimmer blade	Kind of blade	Double-sided blade
	Length of blade	550mm
Attachment weight		SSH-L : 2.6 kg (excluding the shaft) SSH-S : 2.2 kg (excluding the shaft)

2.3 Attached Material

The following is the attached material. For the powerhead, refer to the powerhead manual.

■ Attached Material

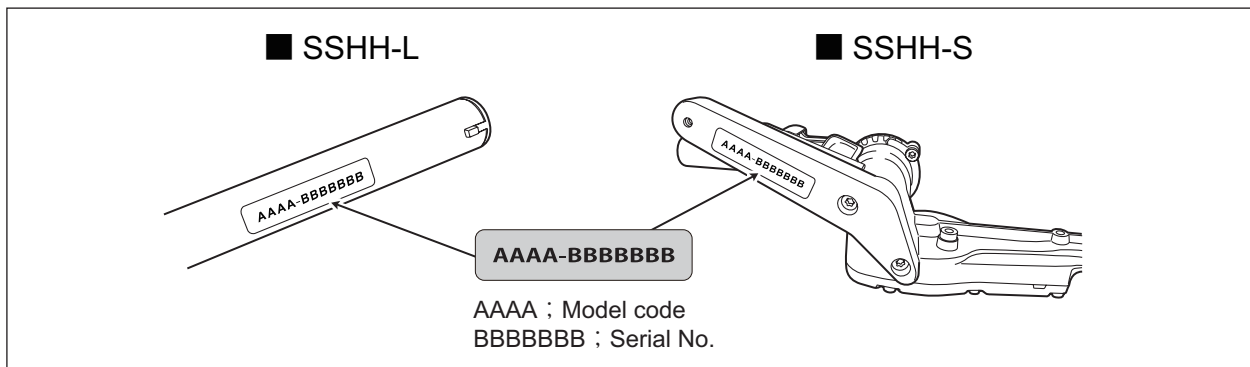
Instruction manual (this book) 	Pipe cap 
--	---

2.4 Position of Model Code and Serial No.

This instruction manual is for attachment of model in same series.

Check the model of your attachment on the nameplate attached to the machine body and read the corresponding sections.

Record serial No. (See “9. Service after Sales”). You will need this serial No. when ordering parts, and when making technical or warranty inquiries.



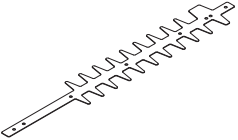
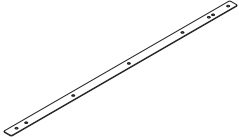
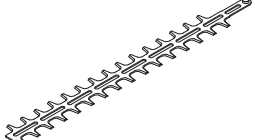


▶▶Note

- The model code is 4-digit numeric number for management.
The model code is different from the model name.

2.5 Consumables

The following is the consumables of this attachment.

Contact the sales agency for the replacement.

Cutter guard  SSH-S only	Guide 	Trimmer blade 	Slider 
Cap 			

3. Installation and Adjustment

3.1 Installation Method

WARNING



Before installing or removing, stop the engine.

- * If the engine starts during the work, hands or fingers could be severed by the moving parts or trimmer blade.

CAUTION



When handling the trimmer blade, wear gloves.

- * If you touch the edge of the trimmer blade or tip of the sharp blade, it could cause injury to hands or fingers.

3.1.1 Combination with Powerhead

WARNING



Do not install any unapproved attachment to the powerhead.

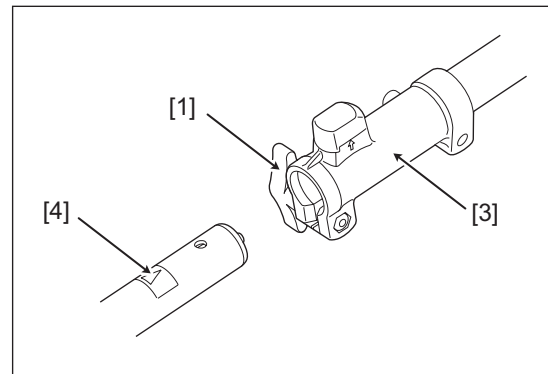
- * The attachment could come off during use, resulting in a serious accident.

The attachment can be installed only to our approved equipment (shown below).
For detail, refer to the table below.

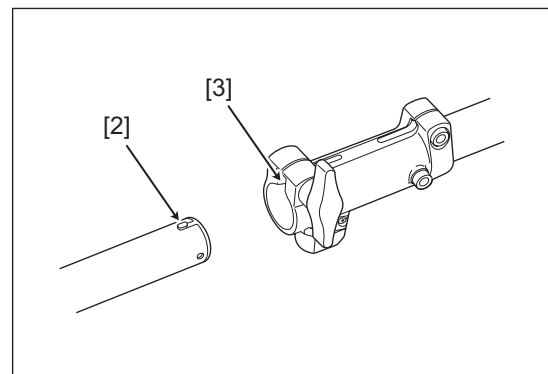
Manufacturer	Our approved powerhead
Thai Honda Manufacturing Co.,Ltd.	UMC425E
Thai Honda Manufacturing Co.,Ltd.	UMC435E
Thai Honda Manufacturing Co.,Ltd.	UMC425U
Thai Honda Manufacturing Co.,Ltd.	UMC435U

3.1.2 Connecting

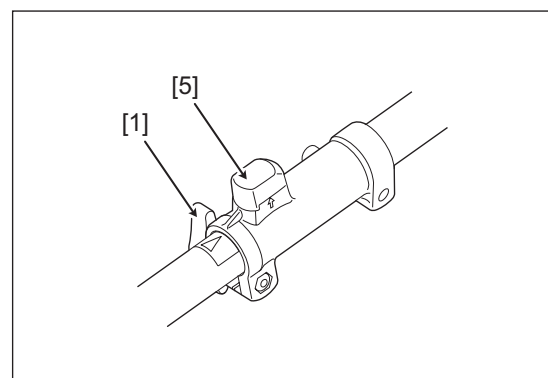
- 1** Loosen the knob bolt [1] of powerhead connections.



- 2** Align the boss (protrusion) [2] at the end of the pipe with the slit of the joint case [3], and insert it to the label [4] position.

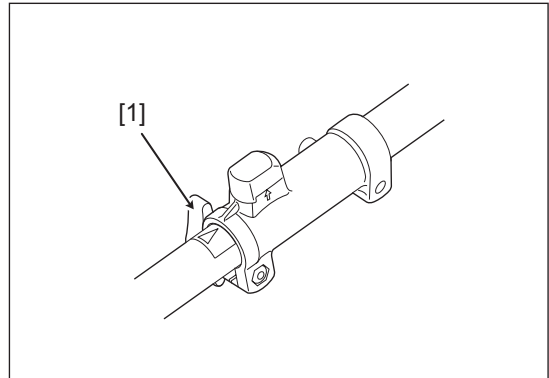


- 3** Make sure that the positioning knob [5] is lowered to the original position, and then tighten the knob bolt [1] of powerhead connections.



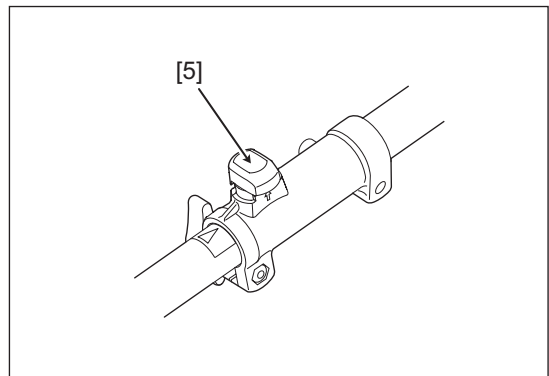
3.1.3 Removing

- 1** Loosen the knob bolt [1] of powerhead connections.



- 2** Lift the positioning knob [5], and turn it.

When the positioning knob is lifted, it can be rotated both clockwise and counterclockwise by 90°.

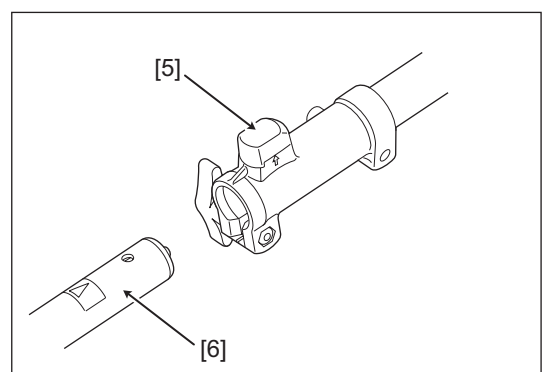


- 3** Pull out the shaft tube [6].

If the shaft tube is hard to remove, hold it so that the attachment is parallel to the pipe of the powerhead, and then pull out it.

- 4** Turn the positioning knob [5] until it comes to the center.

When the positioning knob is returned to the center, it will be released downward.

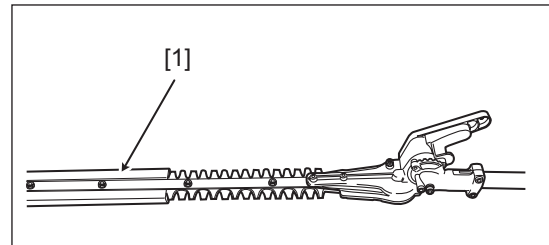


3.2 Adjustment of Cutter Bar Angle

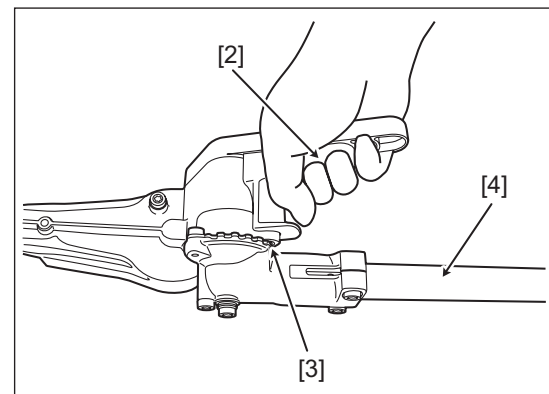
On this type of cutter bar, the angle relative to the cutter bar can be adjusted to 11 positions between -90° to $+90^{\circ}$ in case of SSHH-L series, and 7 positions between -54° to $+54^{\circ}$ in case of SSHH-S series. Adjust as follows.

1 Before this adjustment, stop the engine.

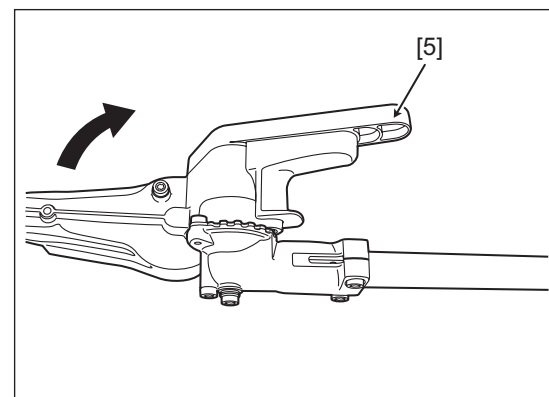
2 Lay down the hedge trimmer on the ground, and set the guard [1] to the trimmer blade.



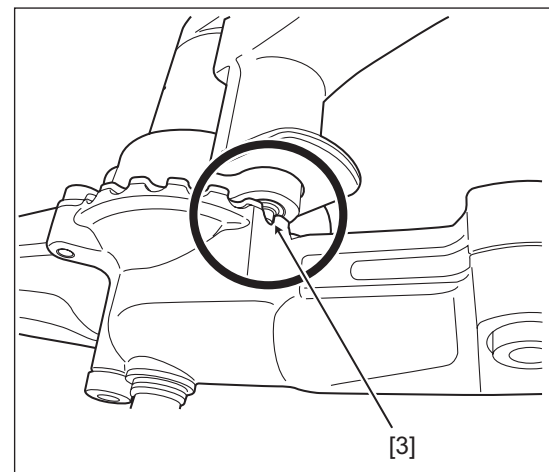
3 Slide the lock lever [2] to release the lock. (Remove the pin [3] of the lock lever from the hole.)
If it does not move smoothly, move the shaft tube [4] back and forth a little.



4 With the lock released, grip the adjustment lever [5] to change the angle of the cutter bar.



5 At the adjusted angle position, return the lock lever. (Engage the pin [3] of the lock lever with the hole.)



4. Operation

⚠ WARNING



Wear appropriate personal protective equipment when using the hedge trimmer.

* Otherwise, injury may result.

4.1 Transporting method

⚠ WARNING



Do not transport the hedge trimmer by a bicycle and a motorbike.

* Otherwise, the hedge trimmer could fall off, resulting in injury or damage of the hedge trimmer.



Before transporting the hedge trimmer, stop the engine, and make the blade stopped.

* Body, hands or fingers could be severed or objects could be damaged by contact with the blade.

When transporting the hedge trimmer, install it to a harness or keep the balance with the shaft tube.

* Otherwise, the hedge trimmer could fall off, resulting in injury or damage of the hedge trimmer.

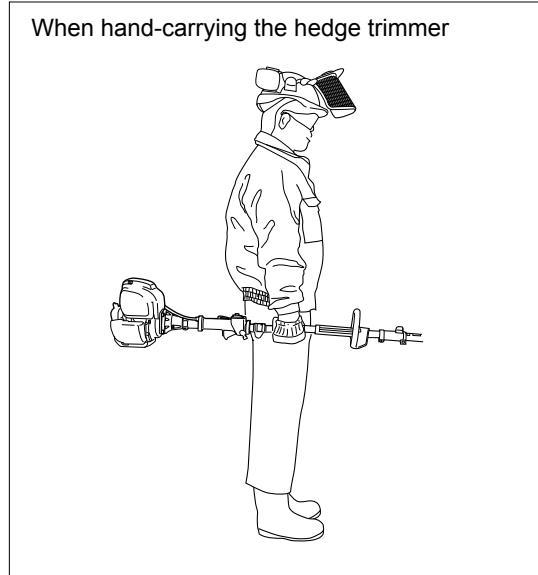
Remove obstacles, and watch your step when transporting the hedge trimmer.

* If the footing is insecure, an accident due to tripping over or falling could happen.

Before transporting the hedge trimmer put on the back of the truck, etc., remove the attachment from the powerhead, set the guard to the trimmer blade, and then fix it so as not to move.

* Otherwise, the attachment could fall off the truck, causing injury or damage to the hedge trimmer.

-
- 1** Wear protective equipment. For detail about the protective equipment, refer to "1.4 Protective Equipment.
 - 2** Make sure that the engine is stopped and the blade is not moving.
 - 3** Install the trimmer blade guard to the trimmer blade.
 - 4** <When hand-carrying the hedge trimmer>
Install it to the harness or use the shaft tube to keep the balance with the shaft tube.



<When transporting by truck, etc.>

- (1) Remove the attachment from the powerhead.
- (2) Put the hedge trimmer on the back of the truck, and fix it so as not move.

4.2 Pre-operation Check

DANGER



Make sure that the hedge trimmer is operated normally or there is not any part missing or cracking before starting the operation.

Especially check the looseness of the connections, screws and nuts, and fuel leakage.

* Otherwise, it will cause serious accident.

Before operating the hedge trimmer, check the following.

- (a) Check the installed status of the attachment. If it is faulty, request a repair.
 - Check if there is not any looseness, cracks, bending, and distortion of parts (nuts, screws, etc.)
 - Check if the trimmer blade is not damaged.

- (b) Check if the hedge trimmer is operated appropriately. If it is faulty, contact the sales agency for repair.
 - Check if the throttle trigger is operated freely (if it springs back in the idling position).
 - Check if the start/stop switch functions normally.

- (c) Check the handle for dirt, etc. If it is dirty, wipe it off.
 - Check if it is kept clean (if there is no oil or resin adhering.)
 - Check if it is dried.

- (d) Check the idling status. If it is faulty, perform the steps described in the powerhead manual.
 - Check if the trimmer blade does not move during idling.
 - Check if the idling is normal.

- (e) In addition to the above, perform the steps described in the powerhead manual.

4.3 Start and Stop

The hedge trimmer is operated by the powerhead.
For more information, refer to the powerhead manual.

4.3.1 Start

DANGER



The hedge trimmer must be started in a non-slippery and firm place.

* Otherwise, it will cause falling, resulting in a serious accident.

WARNING



The hedge trimmer must be started or operated by one person.

* If it is operated by more than one person, it could be miss-handled, and it could contact with a person or objects, resulting in accident.

For starting the hedge trimmer, refer to the powerhead manual.

4.3.2 Stop

When the throttle trigger is released, the engine power will decrease, and the trimmer blade operation will stop.

However, it will be operating for a while (flywheel effect), and the throttle will not stop immediately after the throttle trigger is released.

Refer to the powerhead manual for details.

4.4 Description of Cutting Techniques

The following describes the cutting techniques.

■ Vertical cut

While cutting along the hedge, move the trimmer blade up and down in large arc. Use the both edges of the trimmer blade to cut.

■ Horizontal cut

When cutting, while swinging the hedge trimmer horizontally, keep the trimmer blade angle to between 0° and 10°.

4.5 Precautions for Operation

When operating the hedge trimmer, observe the following as well as “1.2 General Precautions”.

- If you feel tired during operation, be sure to take a break. If you continue operating without taking a break, the hedge trimmer could be out of control. Or if you are aggravated by strenuous work, consult a physician (doctor) before operating the hedge trimmer.
- Keep at least 15m away from the nearest person when operating the hedge trimmer.
- Do not cut any materials other than hedges or shrubs.
- Always hold the hedge trimmer with both hands during operation. Do not use when it is raining.
- Grip the rear handle with your right hand and front handle with your left hand. (This also applies to left-handers).
- If the hedge trimmer is jammed by thick branches or any other obstructions during operation, stop the engine immediately.
- The hedge trimmer is not insulated against electric shock. Have a person qualified for electric work remove wires and cables which can be removed. If there are still wires or cables not removable, do not operate the hedge trimmer.
- Take extreme care when operating in a slippery place. Also watch out for rough ground, stumps, roots, ditches or holes which could cause you to trip or stumble. Do not operate the hedge trimmer in the rain.
- If there is any problem such as a blunt edge of the blade, etc., stop the operation immediately, and make sure that there is no part cracking or lacking. Even if the blade has superficial cracks instead of damage or wear, replace the blade.
- Adjust the angle of the cutter bar to hold the hedge trimmer at a less-tiring position. Use the harness.
- To prevent fire disaster, do not use the hedge trimmer in a place where there is organic sediment, excessive lubricant.

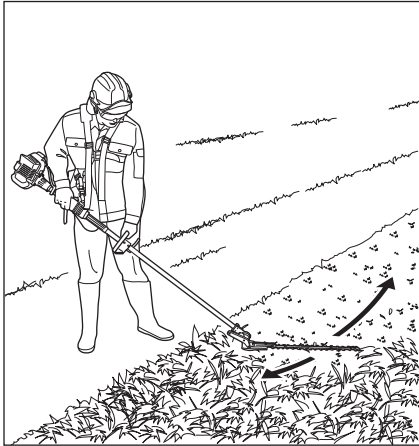
4.6 Examples of Use

Specific examples of how hedge trimmer is used are described as follows.

■ Example 1 (horizontal cut) (SSHH-L only)

Use an angled cutter bar.

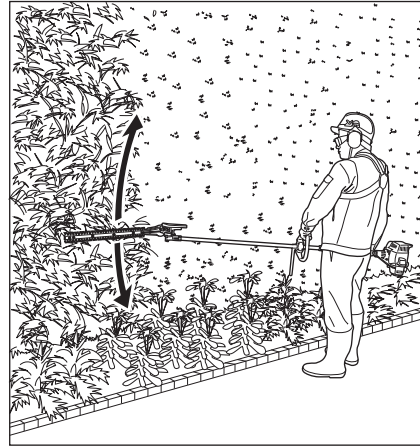
Cut close to the ground from the standing position such as low shrubs as shown in the figure.



■ Example 2 (vertical cut)

Use an angled cutter bar.

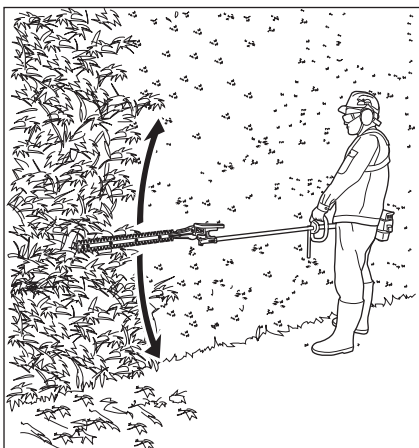
Cut without standing directly in front of the hedge in case of cutting reaching over flower beds.



■ Example 3 (vertical cut)

Use a straight cutter bar.

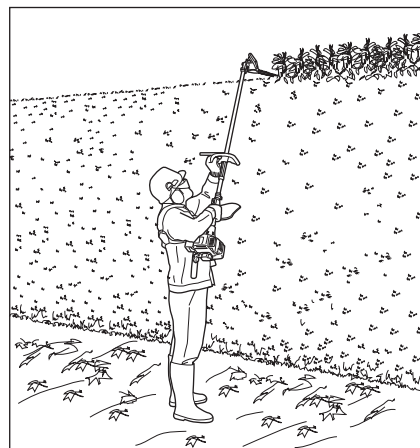
Large working radius is obtained even without additional aids.



■ Example 4 (SSHH-L only)

Use an angled cutter bar.

As shown in the figure, hold the hedge trimmer above head, and swing in an arc to make maximum use of its reach.



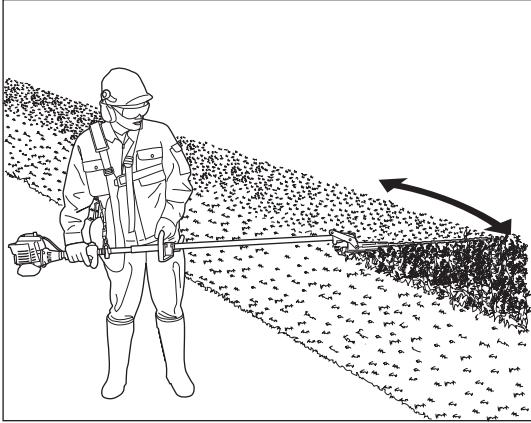
►► Note

- Any working position above head height makes you tired and has risk of danger. Shorten the working time in such a position.
- Set the angle of the adjustable cutter bar to maximum so that the unit can be held in a lower and less-tiring position (with harness).

■ Example 5 (horizontal cut)

Use a straight cutter bar.

Cut without standing directly in front of the hedges in case of cutting reaching over flower beds, ditches, etc.



▶▶ Note

- Do not throw cuttings in the garbage can. They can be composted.

4.7 Actions after Operation

After using the hedge trimmer, take the following actions.

- 1** Set the start/stop switch of engine to OFF (O side) to stop the engine.
- 2** Tighten all the nuts, bolts, and screws other than the ones for adjusting the carburetor.
- 3** Store the hedge trimmer according to “6. Storing”.

5. Maintenance

WARNING



Before performing maintenance, repair or cleaning, stop the engine and remove the attachment from the powerhead.

* If the engine starts during the work, hands or fingers could be severed by the moving parts or trimmer blade.

Do not perform any maintenance or repair other than those described in the instruction manual. Request the sales agency.

* Otherwise, an accident could happen.

Maintenance items for the attachment are described as follows.
For maintenance of the powerhead, refer to the powerhead manual.

5.1 Greasing

DANGER



Store the grease in a place out of reach of children.

Also, put them in a container so that the grease is not spilled and make them distinguished to understand contents.

* When drinking them by mistake, the person will feel physically sick.

CAUTION



Do not discard grease into the river, the sea, or the ground.

* Otherwise, it could pollute the environment.



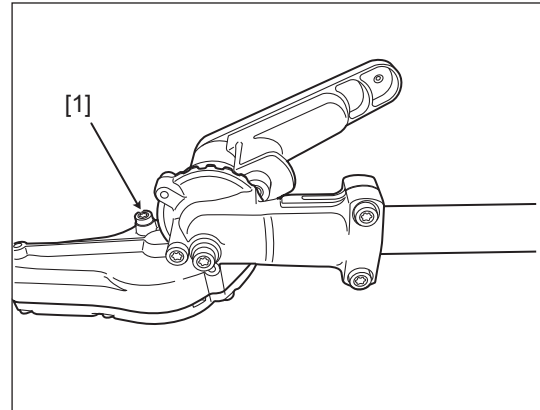
Use the designated grease.

* Otherwise, the attachment could be damaged.

5.1.1 Greasing to Transmission Case

Use OEST 2000EP to grease the transmission case. Greasing must be performed every 25 operation hours.

- 1** Remove the plug [1] from the grease filler opening with the specialized tool attached to powerhead.
- 2** Grease from the grease filler opening [1].
- 3** Refit the plug [1] of the grease filler opening with the specialized tool attached to powerhead.



5.1.2 Greasing to Gear case

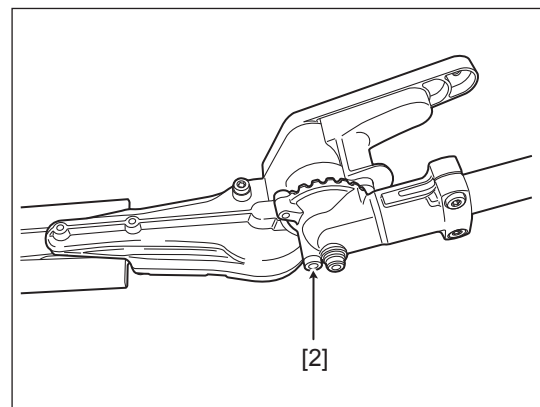
Use Agip LP2 to grease the gear case. Greasing must be performed every 25 operation hours.

- 1** Remove the plug [2] from the grease filler opening with the specialized tool attached to powerhead.
- 2** Grease from the grease filler opening [2].

►► Note

- Do not put grease in the gear case to the limit.

- 3** Refit the plug [2] of the grease filler opening with the specialized tool.



5.2 Maintenance of Trimmer Blade

⚠ WARNING



If the trimmer blade is excessively worn, bent or knicked, replace the trimmer blade assembly with the new one.

* Otherwise, pieces of the trimmer blade broken during the work could scatter, causing serious injury.

⚠ CAUTION



When handling the trimmer blade, wear gloves.

* If you touch the edge of the trimmer blade or tip of the sharp blade, it could cause injury to hands or fingers.

If the cutting performance has deteriorated, e.g. the trimmer blade is frequently jammed by branches, sharpen or replace the trimmer blade.

1 Make sure that any branches or leaves are not caught by the trimmer blade.

If there is any branches or leaves caught, remove them.

2 Remove the stains from the trimmer blade with a cloth, etc.

Clean the trimmer blade as necessary, and then apply oil thinly.

▶▶Note

- Be sure to clean the trimmer blade. If it is not cleaned, dust, wood chips, grease, etc. will be accumulated and hardened, by which the hedge trimmer is not able to be operated for the next time.

3 Check if the trimmer blade is worn or damaged, or if it does not dull.

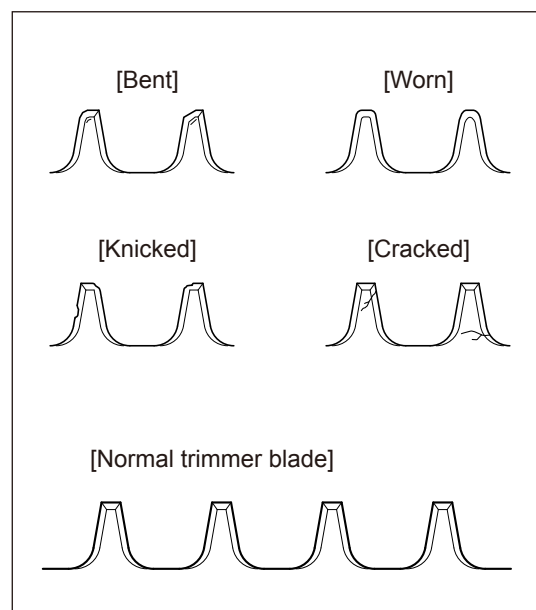
If the trimmer blade is worn, bent, knicked, cracked, etc., contact the sales agency for the replacement.

4 Check if the trimmer blade is deformed or the blade edge is damaged.

Loosen the bolts and nuts of the trimmer blade as necessary, and then tighten again in order.

Torque: 7 N·m

If the blade edge is damaged, contact the sales agency for regrinding.



6. Storing

⚠ DANGER



Store the grease in a place out of reach of children.

Also, put them in a container so that the grease is not spilled and make them distinguished to understand contents.

* When drinking them by mistake, the person will feel physically sick.

⚠ WARNING



When storing the attachment with the hook of the pipe cap attached to the pipe, etc., do not pull or swing the attachment.

Or, attach it to the fixed bar having enough strength.

* Otherwise, it will fall off, causing a serious injury.

⚠ CAUTION



Do not discard grease into the river, the sea, or the ground.

* Otherwise, it could pollute the environment.



When handling the trimmer blade, wear gloves.

* If you touch the edge of the trimmer blade or tip of the sharp blade, it could cause injury to hands or fingers.

When storing the attachment, set the guard to the trimmer blade.

* Otherwise, it could cause injury due to contact with the trimmer blade or serious injury due to contact with the attachment which is falling off or falling down.

When storing the attachment, store it in the place out of reach of children and animals.

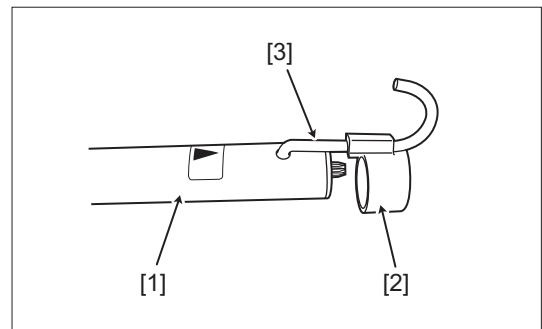
* Otherwise, it could cause injury due to contact with the trimmer blade or serious injury due to contact with the attachment which is falling off or falling down.

After the work or when storing, follow the procedure below.

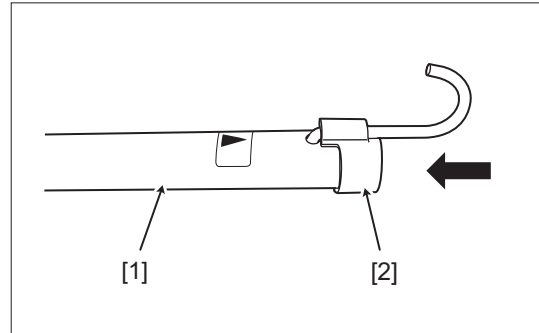
For works after the powerhead operation is completed or storing method, refer to the powerhead manual.

1 Remove the attachment from the powerhead.

2 Insert the hook [3] of the pipe cap [2] into the hole of the shaft tube [1].



- 3** Insert the pipe cap [2] into the shaft tube [1].

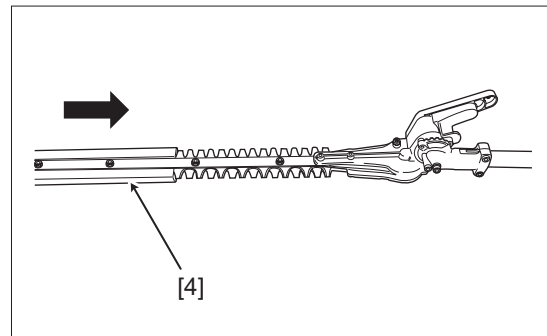


- 4** Put on gloves before cleaning.

- 5** Clean and check the trimmer blade according to “5.2 Maintenance of Trimmer Blade.”

- 6** Clean the attachment. Wipe off the dirt or stain with a cloth, etc.

- 7** Install the trimmer blade guard [4].



- 8** Store the hedge trimmer in the following place.

- (a) Locked place
- (b) High place out of reach of children and other unauthorized person
- (c) Dried and cool dark place

7. Waste Disposal

For disposal, observe the standards and regulations of your region. If there is any question, contact the sales agency.

8. Troubleshooting

In case of failure, follow the table below.

DANGER



When troubleshooting, stop the engine and then remove the attachment from the powerhead.

* If the engine starts during operation, hands or fingers could be severed by the moving parts or trimmer blade.

Phenomena	Causes	Measures
The hedge trimmer does not start.	Fuel runs out or fails.	Refuel or replace the fuel by reference to the powerhead manual
	Engine fails.	Refer to the powerhead manual.
	Start/stop switch is off.	Turn on the start/stop switch to start.
Output is not enough.	Throttle cable adjustment is faulty	Refer to the powerhead manual.
	Engine fails.	Refer to the powerhead manual.
Vibration is too large.	Poor balance of of attachment	Contact the sales agency.
	Mis-installation of attachment	Check the installed status.
	Looseness of connection of attachment	Contact the sales agency.
	Shaft tube is bent.	Contact the sales agency.
Exhaust sound is too large.	Engine fails.	Refer to the powerhead manual.
Blade is blunt	The attachment is not installed to an appropriate powerhead.	Install it to an appropriate powerhead.
	Trimmer blade has worn.	Contact the sales agency.
Blade does not stop even if the engine speed is reduced.	Engine fails.	Refer to the powerhead manual.
Blade does not move even if the engine speed is increased.	The shaft tube is broken.	Contact the sales agency.
	Gear has worn.	Contact the sales agency.
The hedge trimmer does not stop.	Engine fails.	Refer to the powerhead manual.

9. Service after Sales

For repair, handling method or cleaning, contact the sales agency.

■ When Requesting for Repair

If there is any problem, try finding the cause and take measures according to “8. Troubleshooting”. If it does not solve the trouble, contact the sales agency.

■ Contact for Repair

Contact the sales agency from which you purchased the hedge trimmer for repair.

Record serial No. (See “2.4 Position of Model Code and Serial No.”) in the space below. You will need this serial No. when ordering parts, and when making technical or warranty inquiries.

Required information	
Name of product	Hedge trimmer attachment
Model code & Serial No.	SHLE - SHLU - SHSE - SHSU -
Purchased date	
Sales agency which you purchased from	
Faulty condition	(Explain as much detail as possible.)

10. Technical data

		Model	SSHH-L (Europe)		SSHH-S (Europe)	
		Powerhead	UMC425E	UMC435E	UMC425E	UMC435E
		Handle	LOOP	LOOP	LOOP	LOOP
a)	Mass (without guard and powerhead)	kg	2.6		2.2	
	Length (without guard and powerhead)	mm	1400		895	
	Cutting attachments (diameter for blades)	mm	550		550	
b)	Measured vibration levels (in accordance with EN ISO 22867) Applies to Europe only	Front m/s^2	7.0	5.9	5.9	6.9
		Uncertainty	2.8	2.4	2.4	2.8
		Rear m/s^2	4.5	4.1	4.4	4.2
		Uncertainty	2.3	2.1	2.2	2.1
	Measured vibration levels (in accordance with EN ISO 22867) Use with SSES-L(Extension Pipe) Applies to Europe only	Front m/s^2	3.5	3.7	-	-
		Uncertainty	1.7	1.8	-	-
		Rear m/s^2	6.2	5.8	-	-
		Uncertainty	2.5	2.3	-	-
c)	Measured sound pressure level (in accordance with 2006/42/EC) Applies to Europe only	dB(A)	90	92	90	92
	Uncertainty		1	2	1	2
d)	Measured sound power level (in accordance with 2000/14/EC) Applies to Europe only	dB(A)	101	104	101	104
	Uncertainty		1	2	1	2

Model		SSHH-L (Australia)		SSHH-S (Australia)		
Powerhead		UMC425U	UMC435U	UMC425U	UMC435U	
Handle		LOOP	LOOP	LOOP	LOOP	
a)	Mass (without guard and powerhead)	kg	2.6		2.2	
	Length (without guard and powerhead)	mm	1400		895	
	Cutting attachments (diameter for blades)	mm	550		550	
e)	Sound power level Australia New South Wales standard Applies to Australia only	dB	70	73	70	73

EC Declaration of Conformity (Applies to Europe only)

Manufacturer NIKKARI CO.,LTD.
Address 465-1,Saidaiji-Kawaguchi,Higashi-ku,Okayama,704-8125
Country JAPAN

Type Hedge Trimmer Attachment
Model / Serial No. SSHH-L SHLE-1000001 ~
SSH-S SHSE-1000001 ~

Declare, that the following machinery complies with all the essential health and safety Requirements of the EC Directive.

2006/42/EC
2004/108/EC
2000/14/EC amended 2005/88/EC

The following standards have been applied

EN ISO 12100:2010
EN ISO 10517:2009
EN ISO 14982:2009

Approved Powerhead

UMC425E
UMC435E

Guaranted sound power level (in accordance with 2000/14/EC)

Use with UMC425E 102 dB(A)
Use with UMC435E 106 dB(A)

Issued at: Hiroshi Sugimoto, Japan
on October 1st 2012

Name and position of the person that signs: Hiroshi Sugimoto
President

Manufacturer' s signature



Person authorised to compile the technical file

Honda Motor Europe Ltd. Aalst Office
Wijngaardveld 1 (Noord V), 9300 Aalst
BELGIUM